

Raxton certified accessories for hazardous areas

The safety you rely on.



EATON
Powering Business Worldwide



We make what matters work.*



At Eaton, we believe that power is a fundamental part of just about everything people do. That's why we're dedicated to helping our customers find new ways to manage electrical and mechanical power more efficiently, safely and sustainably. To improve people's lives, the communities where we live and work, and the planet our future generations depend upon. Because this is what really matters. And we're here to make sure it works.

To learn more go to: Eaton.com/whatmatters

EATON

Powering Business Worldwide

We make what matters work.

About us	4-5
Thread conversion products for hazardous areas	
Metallic adaptors and reducers.....	6-7
Glass-filled nylon adaptors and reducers.....	8-9
Male to male / female to female adaptors.....	10-11
Right angle adaptors.....	12
Threaded earth plates.....	13
*Breather drains.....	14
Stopping plugs.....	15-17
Barrier stopper boxes for cable glands and rigid conduit.....	18
Nipples / couplers / bushes.....	19
Locknuts.....	20
Washers.....	21
Serrated washers.....	22
Earthing locknuts.....	23
Earth tags.....	24
Shrouds.....	25
Barrier fittings for flexible conduit.....	26
Thread selection / dimensions.....	27
Product coding.....	28

*To be obsoleted by the end of 2022 and replaced by the Redapt series.
 Please see our Redapt options for a suitable alternative:
 DP-E breather drains, click [here](#) to discover
 BD-U breather drains, click [here](#) to discover



Global Cable Glands Solution

Eaton provides a termination solution for virtually every cable type used in hazardous and industrial environments – both onshore and offshore and above and below ground.

Our cable glands and accessories products are designed for strict adherence to global specifications for IEC and NEC wiring standards, meeting International and North American certification requirements including ATEX, IECEx, UL and regional certifications. Our products are also certified for dust and mining applications.

From the deserts of Africa to the icy waters of the North Sea, the world turns to Eaton for its complete range of cable installation products.

Our cable glands, thread conversion products and cable installation accessories are used in industrial and commercial applications throughout the world enhancing safety and productivity in the most severe environmental conditions.

Eaton's cable glands are the easiest and safest solution for your installation and maintenance needs. In any electrical or instrumentation installation, our glands are the reliable and safe way to move power and signals.

Global Support & Manufacturing

Our sales support and manufacturing facilities are strategically positioned around the world to deliver products close to your project. Whenever required we are there on-site during construction, commissioning and training.

Eaton manufactures in 5 continents and sells into more than 100 countries.

We have dedicated sales support in every major location with local technical sales and engineering teams to support your immediate needs. As one of the largest oil & gas bulk electrical and instrument material suppliers, we can easily provide you a single source for all the components to complete your project on time and on budget.

Discover our cable glands and accessories [here](#)

EATON

Powering Business Worldwide

Aldridge, our manufacturing site in UK



History and experience for hazardous areas

- The main office for Raxton and Redapt products
- 50 employees
- 10 million of units produced per annum
- Departments: metal turning, sales support/project management, sourcing/supply chain, international sales and warehousing

A few key dates

1950 - First industrial cable gland

Named "P32", it replaces the tow around the electric cable.

1972 - Raxton is founded

Raxton established as a thread conversion business for hazardous areas and industrial applications in 1972.

1979 - Foundation of Redapt

Specialized in Ex and named after its core product range REducers and aDAPtors.

1988 - First ATEX approved cable gland

Redapt launches its first ATEX cable gland in 1988, adding to the ATEX adaptors and plugs product ranges already available.

2012 - Arrival of Eaton

Following previous integration into Cooper Industries (1999 for CA-PRI-CODEC and 2010 for Redapt and Raxton). All three brands are brought into the international group Eaton which in 2020 has sales of \$17.9 billion. We offer one of the largest and most comprehensive ranges of conduits, cable and wire management products on the market today.

2019 - Aldridge granted Fit For Nuclear status

Eaton Electrical System Ltd (Aldridge) granted Fit For Nuclear status by Nuclear AMRC (Nuclear Advanced Manufacturing Research Centre).

This status rewards UK manufacturers that meet the standards demanded by the nuclear industry's top tiers.

Eaton takes pride in demonstrating a capability to support the needs of the global nuclear industry and providing high-quality products for all nuclear sectors including new build, operations and decommissioning.

Discover our manufacturer page on F4N Connect [here](#)

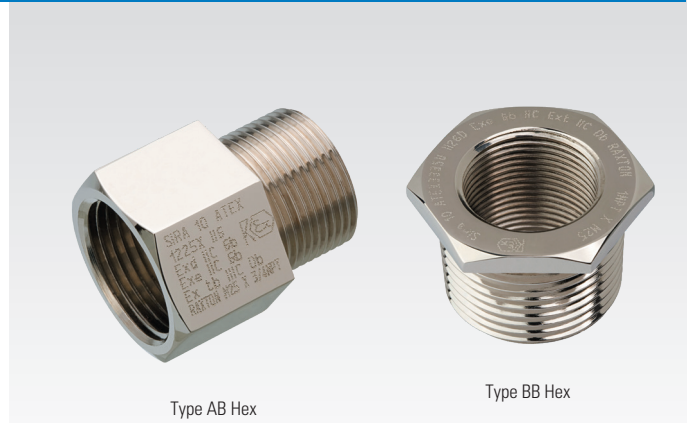


Metallic adaptors and reducers - AB & BB

Technical specification

Raxton Exd/Exe adaptors and reducers provide a means of connection between dissimilar thread forms or sizes. Metallic adaptors have a hexagonal body; if space is a critical factor, round adaptors can be offered with an equivalent diameter of the standard hexagonal item.

Raxton adaptors and reducers are marked with the applicable approval number and size.



Type AB Hex

Type BB Hex

Certifications and compliances



Code of protection categories

ATEX: I M2, Ex db I/IIC Mb/Gb, Ex eb IIC Gb, Ex tb IIIC Db

IECEX/

INMETRO/

EAC: Ex d I/IIC, Ex e I/IIC, Ex tb IIIC Db

CSA: CI I Zn 1 AEx db IIC Gb, Ex db IIC Gb (see certificate for threadforms & material details)

CCC: Ex d IIC Gb, Ex e IIC Gb, Ex tD A21 IP6X

Compliance standards

ATEX/EAC: EN 60079-0, EN 60079-1, EN 60079-7, EN 60079-31

INMETRO: ABNT NBR IEC 60079-0, ABNT NBR IEC 60079-1, ABNT NBR IEC 60079-7, ABNT NBR IEC 60079-31

IECEX: IEC 60079-0, IEC 60079-1, IEC 60079-7, IEC 60079-31

CSA: CSA-C22.2 No. 60079-0, CSA-C22.2 No. 60079-1 ANSI/UL 60079-0, ANSI/UL 60079-1

CCC: GB 3836.1-2010, GB 3836.2-2010, GB 3836.3-2010, GB 12476.1-2013, GB 12476.5-2013

Certificate details

ATEX: ITS16ATEX101336X

IECEX: IECEX ITS16.0011X

CSA: CSA 200455-1003277 (brass and stainless only)

EAC: TC RUC-G B.M1062.B.00447/19

INMETRO: NCC 18.0133X

CCOE: P393297/1

CCC: 2020322313001350 (Adaptors), 2020322313001351 (Reducers)

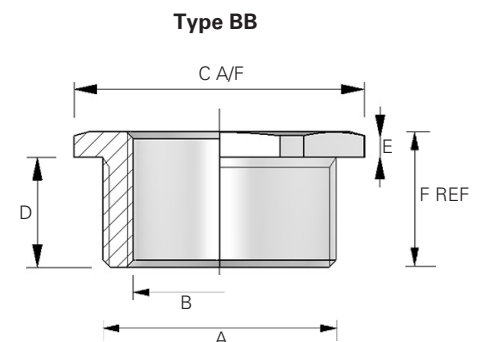
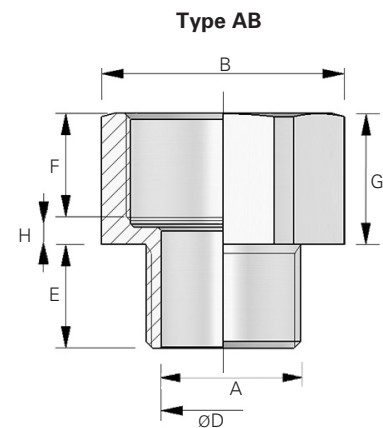
Temperature

-60°C to +200°C ; depending on O-ring or sealing washer used

Ingress protection (IP):

Independently tested to IP66 / IP68 when fitted in accordance to manufacturer's instructions.

[Download certificates and documents here](#)



Metallic adaptors and reducers - AB & BB

Dimensions

Type AB

Metallic adaptors are available for up to two step sizing, e.g. M20 male x M32 female
Other sizes / threads are available upon request.

A	B	C	ØD	E	F	G	H
Male metric (6g)	Female metric (6H)	A/F	Bore	Thread length	Thread depth	Ref	Hex wall
M12	M12	15.9	7.0	15.0	17.0	21.0	4.0
	M16	19.1	7.0	15.0	17.0	21.0	4.0
M16	M16	19.1	10.4	15.0	17.0	21.0	4.0
	M20	24.0	10.4	15.0	17.0	21.0	4.0
	M25	30.5	10.4	15.0	17.0	21.0	4.0
M20	M20	24.0	14.4	15.0	17.0	21.0	4.0
	M25	30.5	14.4	15.0	17.0	21.0	4.0
	M32	37.6	14.4	15.0	17.0	22.0	5.0
M25	M25	30.5	19.4	15.0	17.0	21.0	4.0
	M32	37.6	19.4	15.0	17.0	22.0	5.0
M32	M32	37.6	26.8	15.0	17.0	22.0	5.0
	M40	47.2	26.8	15.0	17.0	22.0	5.0
	M50	55.9	26.8	15.0	17.0	22.0	5.0
M40	M40	47.2	33.5	15.0	17.0	22.0	5.0
	M50	55.9	33.5	15.0	17.0	22.0	5.0
M50	M50	55.9	42.8	15.0	17.0	22.0	5.0
	M63	70.1	42.8	15.0	17.0	22.0	5.0
M63	M63	70.1	54.4	15.0	17.0	22.0	5.0
	M75	80.0	54.4	15.0	17.0	22.0	5.0
M75	M75	80.0	66.7	15.0	17.0	22.0	5.0

Type BB

Other sizes / threads are available upon request.

A	B	C	D	E	F
Male metric (6g)	Female metric (6H)	A/F	Thread length	Hex length	Total length
M16	M12 & BELOW	19.1	15.0	4.0	19.0
M20	M16 & BELOW	24.0	15.0	4.0	19.0
M25	M20 & BELOW	27.9	15.0	4.0	19.0
M32	M25 & BELOW	37.5	15.0	4.0	19.0
M40	M32 & BELOW	47.2	15.0	5.0	20.0
M50	M40 & BELOW	55.9	15.0	6.0	21.0
M63	M50 & BELOW	70.1	15.0	7.0	22.0
M75	M63 & BELOW	80.0	15.0	8.0	23.0
M80	M63 & BELOW	90.0	20.0	9.0	29.0
M90	M80 & BELOW	95.0	20.0	10.0	30.0
M100	M90 & BELOW	110.0	20.0	11.0	31.0

Glass-filled nylon adaptors and reducers - AJ & BJ

Technical specification

Raxton Exe adaptors and reducers effectively reduce the threaded entry diameter of an enclosure to accept a gland or fitting with a smaller thread. Reducers may also be supplied to accept smaller glands of alternative threads.

Nylon adaptors and reducers are Exe only and designed with a circular head. Exe adaptors and reducers are supplied with an undercut and EPDM O-ring to maintain the IP integrity of the installation.

Raxton adaptors and reducers are marked with the applicable approval number and size.



Type AJ Round

Type BJ Round

Certifications and compliances



[Download certificates and documents here](#)

Code of protection categories

ATEX: Ex eb IIC Gb, Ex tb IIIC Db

IECEX/

INMETRO/

EAC: Ex e IIC Gb, Ex tb IIIC Db

CCC: Ex d IIC Gb, Ex e IIC Gb, Ex tD A21 IP6X

Compliance standards

ATEX/EAC: EN 60079-0, EN 60079-7, EN60079-31

INMETRO: ABNT NBR IEC 60079-0, ABNT NBR IEC 60079-7, ABNT NBR IEC 60079-31

IECEX: IEC 60079-0, IEC 60079-7, IEC 60079-31

CCC: GB 3836.1-2010, GB 3836.2-2010, GB 3836.3-2010, GB 12476.1-2013, GB 12476.5-2013

Certificate details

ATEX: ITS16ATEX101336X

IECEX: IECEX ITS16.0011X

EAC: TC RUC-G B.M1062.B.00447/19

INMETRO: NCC 18.0133X

CCC: 2020322313001350 (Adaptors), 2020322313001351 (Reducers)

Temperature

The item is classified as a component.

Nylon temperature range: -30°C to +90°C.

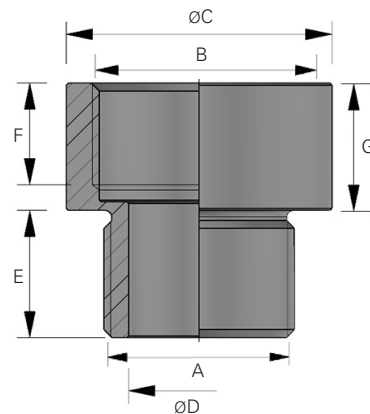
EPDM O-ring: -50°C to +100°C (standard)

Silicone O-ring: -60°C to +180°C (option)

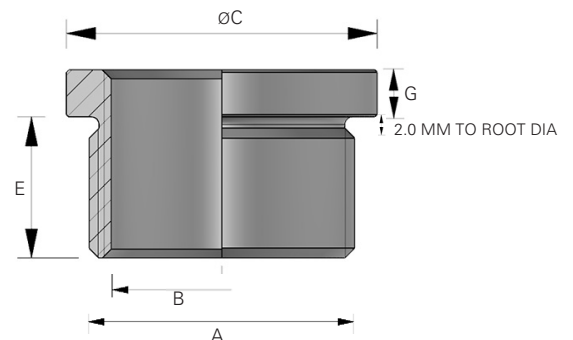
Ingress protection (IP):

Independently tested to IP66 / IP68 when fitted in accordance to manufacturer's instructions.

Type AJ



Type BJ



Glass-filled nylon adaptors and reducers - AJ & BJ

Dimensions

Type AJ

Other sizes / theads are available upon request.

A	B	C	ØD	E	F	G
Male	Female	Diam	Bore	Thread length	Thread depth	Total length
Pg9	M16	27.5	8.0	15.0	15.0	20.0
	M20	27.5	8.0	15.0	15.0	20.0
Pg11	M16	27.5	11.1	15.0	15.0	20.0
	M20	27.5	11.1	15.0	15.0	20.0
	M25	35.5	11.1	15.0	15.0	20.0
Pg13,5	M20	27.5	12.9	15.0	15.0	20.0
	M25	35.5	12.9	15.0	15.0	20.0
Pg16	M20	27.5	15.0	15.0	15.0	20.0
	M25	35.5	15.0	15.0	15.0	20.0
Pg21	M25	35.5	20.8	15.0	15.0	20.0
	M32	41.0	20.8	15.0	15.0	20.0
	M40	48.0	20.8	15.0	15.0	20.0
Pg29	M40	53.0	29.5	15.0	15.0	20.0
	M50	63.0	29.5	15.0	15.0	20.0
Pg36	M50	63.0	39.5	15.0	15.0	20.0
	M63	80.0	39.5	15.0	15.0	20.0
Pg42	M50	63.0	46.5	15.0	15.0	20.0
	M63	80.0	46.5	15.0	15.0	20.0
Pg48	M63	80.0	51.8	15.0	15.0	20.0
	M75	90.0	51.8	15.0	15.0	20.0

Type BJ

Other sizes / theads are available upon request.

A	B	C	E	G
Male	Female	Diam	Thread length	Diam length
M20	M16 & BELOW	25.0	15.0	5.0
M25	M20 & BELOW	30.0	15.0	5.0
M32	M25 & BELOW	38.0	15.0	5.0
M40	M32 & BELOW	46.0	15.0	5.0
M50	M40 & BELOW	56.0	15.0	5.0
M63	M50 & BELOW	70.0	15.0	5.0

Note : Pg used as reference, dimensions also apply for other equivalent threads.

Male to male / female to female adaptors - AR, AU & AX

Technical specification

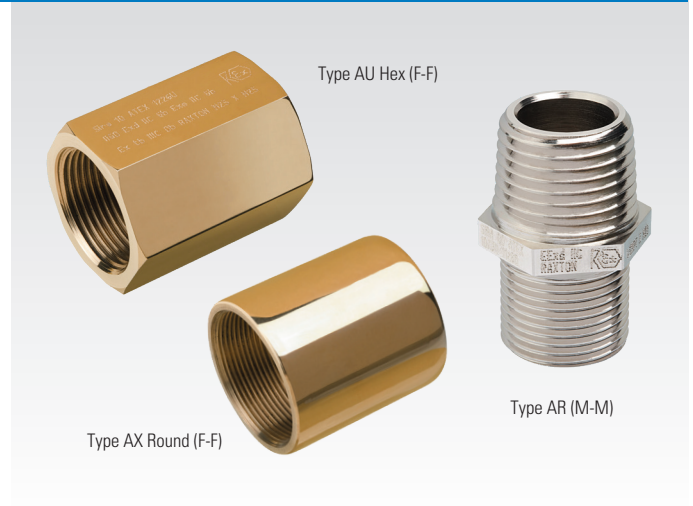
Male to male (type AR) adaptors provide a connection between two female threads of the same or dissimilar thread forms.

Female to female (type AU) adaptors provide a connection between two male threads of the same or dissimilar thread forms. Female to female adaptors are also available as round shaped products (type AX) for areas where space is a premium.

In each case, thread combinations can reduce by one size of the same thread form or to the equivalent of another form:

e.g. M25 x M20 or M25 x 1/2"NPT

Both male to male and female to female adaptors are marked with the appropriate approval number and size.



Certifications and compliances



[Download certificates and documents here](#)

Code of protection categories

ATEX: I M2, Ex db I/IIC Mb/Gb, Ex eb I/IIC Mb/Gb, Ex tb IIIC Db

IECEX/

INMETRO/

EAC: Ex d I/IIC Mb/Gb, Ex e I/IIC Mb/Gb, Ex tb IIIC Db

Compliance standards

ATEX/EAC: EN 60079-0, EN 60079-1, EN60079-7, EN60079-31

INMETRO: ABNT NBR IEC 60079-0, ABNT NBR IEC 60079-1, ABNT NBR IEC 60079-7, ABNT NBR IEC 60079-31

IECEX: IEC 60079-0, IEC 60079-1, IEC 60079-7, IEC 60079-31

Certificate details

ATEX: ITS16ATEX101336X

IECEX: IECEX ITS16.0011X

EAC: TC RUC-G B.M.1062.B.00447/19

INMETRO: NCC 18.0133X

Temperature

The item is classified as a component and therefore metallic products are not given an operating temperature range.

Male to male / female to female adaptors - AR, AU & AX

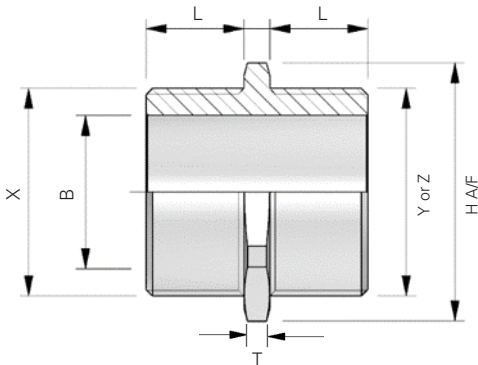
Dimensions

Type AR, AU & AX

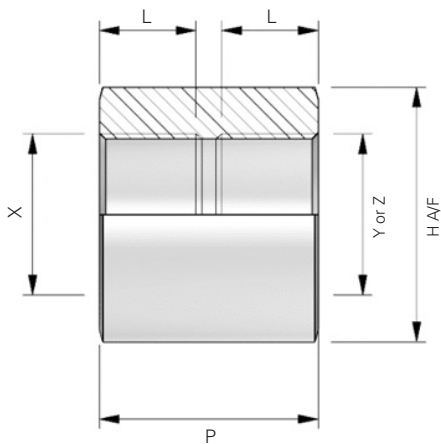
M - M & F - F adaptors are produced with similar threads each end, alternatives can be produced with two step increase size threads of another thread forms or as reducers to a smaller thread size.

X	Y	Z	H	B	L	P	T
Male metric (6g)	Female metric (6H)	Male metric (6g)	Min	Max	Min	Min	Min
M16	M25	M12	19.0	10.4	15.0	34.0	3.5
M20	M32	M16-M12	23.0	14.4	15.0	34.0	3.5
M25	M40	M20-M12	30.0	19.4	15.0	34.0	3.8
M32	M50	M25-M12	37.0	25.9	15.0	34.0	4.0
M40	M63	M32-M12	47.0	33.4	15.0	34.0	4.5
M50	M75	M40-M12	55.0	42.9	15.0	34.0	5.0
M63	M80	M50-M12	70.0	54.4	15.0	34.0	6.0
M75	M90	M63-M12	80.0	66.9	15.0	34.0	7.0
M80	M100	M75-M12	90.0	71.4	15.0	34.0	7.0
M90	M110	M80-M12	95.0	80.9	15.0	34.0	7.5
M100	M120	M90-M12	105.0	90.4	15.0	34.0	8.5
M110	M120	M100-M12	120.0	99.9	15.0	34.0	9.5
M120	M120	M110-M12	130.0	109.4	15.0	34.0	10.0

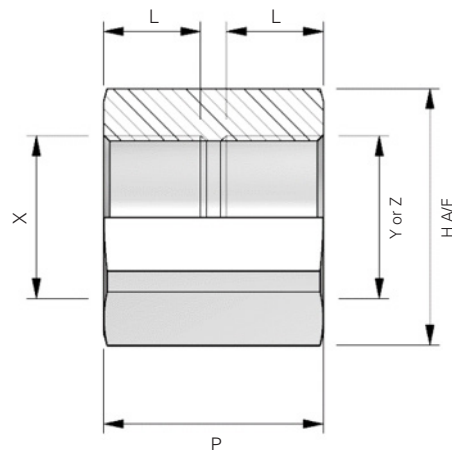
Type AR



Type AX



Type AU



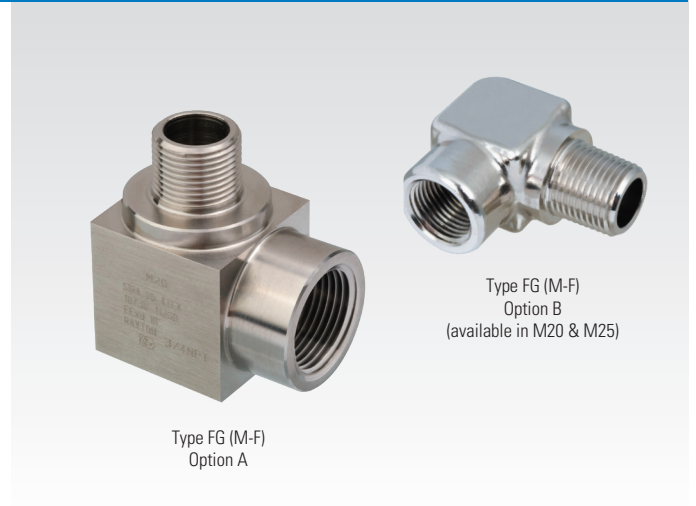
Right angle adaptors - FG, FK & FN

Technical specification

Right angle adaptors provide a means of connection where protrusion space is limited, while simultaneously if necessary, converting the entry thread to that of a different type or reducing size and/or gender of the female thread.

Right angle adaptors are available in male to female (type FG), male to male (type FK) and female to female (type FN) versions.

Raxton adaptors are marked with the applicable approval number and size.



Certifications and compliances



[Download certificates and documents here](#)

Code of protection categories

ATEX: I M2, II 2 GD
IECEX: Ex db I/IC Mb/Gb, Ex e I/IC Mb/Gb, Ex tb IIIC Db
(Aluminium not mining)

Compliance standards

ATEX: EN 60079-0, EN 60079-1, EN60079-7, EN60079-31
IECEX: IEC 60079-0, IEC 60079-1, IEC 60079-7, IEC 60079-31

Certificate details

ATEX: ITS16ATEX101337U
IECEX: IECEX ITS 16.0010U
INMETRO: NCC 18.0133X
EAC: RU C-GB.M1062.B.00445-19

Temperature

Ex e, Ex tb Temperature range: -60°C to + 200°C
For more information, please contact us.

Ingress protection (IP):

IP64 when fitted without sealing washer. IP66/IP68 when fitted with washer or thread sealant according to manufacturer's instructions.

Product dimensions - option A

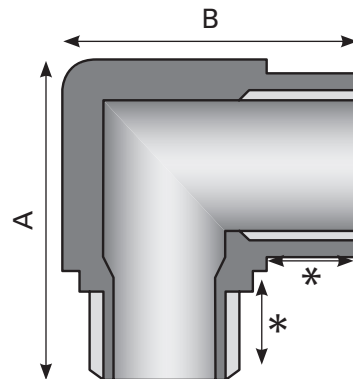
Thread	Height (A) (mm)	Width (B) (mm)	Male bore size (mm)	Female bore size (mm)
M16	45.0	40.0	9.0	14.0
M20	51.0	45.0	15.0	18.0
M25	57.0	50.0	20.8	23.0
M32	66.0	57.0	26.8	30.0
M40	75.0	65.0	33.5	38.0
M50	86.0	75.0	48.0	44.0
M63	101.5	90.0	61.0	55.0
M75	119.0	105.0	73.0	66.5

Other sizes / threads are available upon request.

Product dimensions - option B

Thread	Height (A) (mm)	Width (B) (mm)	Male bore size (mm)	Female bore size (mm)
M20	56.0	46.0	12.0	14.0
M25	62.0	51.0	17.0	18.0

* Option B available in brass only.



* Minimum 8 full threads parallel, 5 full threads taper. (Exd)

Threaded earth plates - DK

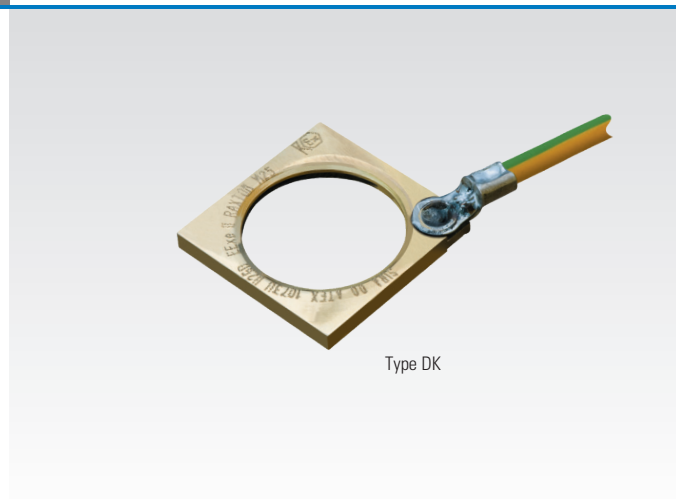
Technical specification

Raxton DK series of threaded earth plates provide a method of bonding a cable gland or conduit termination to a grounding point within an enclosure.

It is available in brass CZ121 and supplied with earth lead.

Threadforms

Metric
Pg

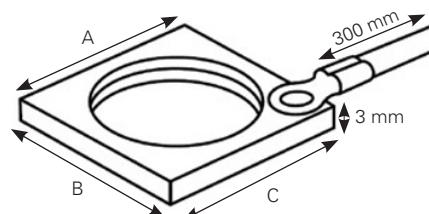


Type DK

[Download certificates and documents here](#)

Product dimensions

A	B	C	Cable cross section (mm ²)	Product code
M16	22.00	22.00	2.50	DKA0011F
M20	31.75	31.75	2.50	DKA0012F
M25	32.00	32.00	4.00	DKA0013F
M32	38.00	38.00	6.00	DKA0014F
M40	50.80	50.80	10.00	DKA0015F
M50	63.50	63.50	16.00	DKA0016F
M63	76.00	76.00	25.00	DKA0017F
M75	102.00	102.00	25.00	DKA0018F



Breather drains - types CT & CV

Technical specification

The Exd /Exe (type CT) and the Exe (type CV) breather drain plugs effectively drain moisture from an enclosure and allow air from the enclosure to vent into the surrounding atmosphere, thereby minimising moisture build up.

Type CT (Exd/Exe) - Certifications and compliances



Code of protection categories

ATEX: I M2, II 2 GD, Ex eb I/IIC Mb Gb, Ex d IIC Mb Gb, Ex tb IIIC Db
IECEX: Ex eb I/IIC Mb/Gb, Ex d IIC Mb/Gb, Ex tb IIIC Db

Compliance standards

ATEX: EN 60079-0, EN 60079-1, EN 60079-7, EN 60079-31
IECEX: IEC 60079-0, IEC 60079-1, IEC 60079-7, IEC 60079-31

Certificate details

ATEX: ITS16ATEX101338X
IECEX: IECEX ITS 16.0014X
EAC: RU C-GB.M 62.B.06227
INMETRO: NCC 18.0165 X

Temperature

Type CT (Exd/Exe) breather drain plug: -50°C to +150°C.

Ingress protection (IP):

IP66 when fitted in accordance to manufacturer's instructions (for bottom application only)

Type CV (Exe) - Certifications and compliances



Code of protection categories

ATEX: I M2/II 2 GD, Ex e I/II Mb Gb, Ex tb IIIC Db
Nylon: II 2 GD, Ex eb II Mb Gb, Ex tb IIIC Db
IECEX: Ex e I/IIC Mb/Gb, Ex tb IIIC Db
Nylon: Ex eb IIC Mb/Gb, Ex tb IIIC Db
CSA: Ex eb IIC Gb IP66 CI I Zn 1 AEx eb IIC Gb Enclosure Type 4X (NEMA 4X)

Compliance standards

ATEX: EN 60079-0, EN 60079-7, EN 60079-31
IECEX: IEC 60079-0, IEC 60079-7, IEC 60079-31
CSA: C22.2 No. 0-10, CAN/CSA C22.2 NO. 18.3-12, CAN/CSA C22.2 No. 60079-0, CAN/CSA C22.2 No. 60079-7, CAN/CSA C22.2 NO. 94-M91
ANSI/UL 514B, ANSI/UL 60079-0 ANSI/UL 60079-7, ANSI/UL 50

Certificate details

ATEX: ITS16ATEX101338X
IECEX: IECEX ITS 16.0014X
EAC: RU C-GB.M 62.B.06227
CSA: CSA00CA1033919X
INMETRO: NCC 18.0165 X

Temperature

Type CV (Exe) breather drain plug is classified as a component and therefore metallic products are not given an operating temperature.
Nylon temperature range: -20°C to +65°C; O-ring -30°C to +150°C.

Ingress protection (IP):

IP66 when fitted in accordance to manufacturer's instructions.

To be obsoleted by the end off 2022 and replaced by the Redapt series.

Please see our Redapt options for a suitable alternative:

DP-E breather drains, click [here](#) to discover

BD-U breather drains, click [here](#) to discover



For CT breather drains, download certificates [here](#)

For CV breather drains, download certificates [here](#)

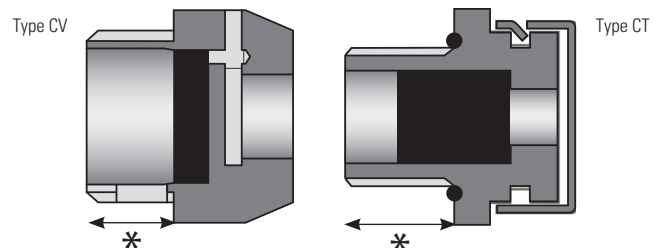
Product dimensions - type CT (Exd/Exe)

Thread	Hex A/F (mm)	Thread length (mm)	OAL (mm)
M20	27.0	16.0	31.0
M25	31.8	16.0	31.0
1/2" NPT	27.0	20.0	35.0
3/4" NPT	27.9	20.0	35.0

Product dimensions - type CV (Exe)

Thread	Diameter (mm)	Allen key (mm)	Head protusion (mm)
M16	20.0	10.0	14.0
M20	25.4	10.0	14.0
M25	30.5	10.0	14.0
M32	38.0	10.0	14.0
1/2" NPT	25.4	10.0	14.0
3/4" NPT	30.5	10.0	14.0
1" NPT	38.0	10.0	14.0

Other sizes / threads are available upon request.



* Minimum 8 full threads parallel, 5 full threads taper. (Exd)

Stopping plugs - types CB & CF

Technical specification

The comprehensive Raxton range of stopping plugs are designed to close off any unused entries in electrical equipment, whilst maintaining existing certification and ingress protection.

Type CB RX stopping plugs

Type CB RX stopping plugs are inserted with the Allen/hex key aperture pointing away from the equipment and tightened from the outside.

Type CF tamper-proof stopping plugs

Type CF tamper-proof stopping plugs are inserted from the outside with the Allen/hex key aperture pointing towards the equipment and then tightened from the inside, leaving a flush finish to prevent unauthorised removal.

All Raxton stopping plugs are marked with the appropriate approval numbers and size.



Certifications and compliances



[Download certificates and documents here](#)

Code of protection categories

ATEX: I/II 2 GD, Ex db I/IIc Mb/Gb, Ex eb I/IIc Mb/Gb, Ex tb IIIC Db IP66

IECEX/
INMETRO/

EAC: Ex d I/IIc Mb/Gb, Ex e I/IIc Mb/Gb, Ex tb IIIC Db IP66

CSA: Cl I Zn 1 AEx db IIC Gb, Ex db IIC Gb (see certificate for threadforms & material details)

CCC: Ex d IIC Gb, Ex e IIC Gb, Ex tD A21 IP6X

Compliance standards

ATEX/EAC: EN 60079-0, EN 60079-1, EN60079-7, EN60079-31

IECEX: IEC 60079-0, IEC 60079-1, IEC 60079-7, IEC 60079-31

CSA: CSA-C22.2 No. 60079-0, CSA-C22.2 No. 60079-1
ANSI/UL 60079-0, ANSI/UL 60079-1

INMETRO: ABNT NBR IEC 60079-0, ABNT NBR IEC 60079-1,
ABNT NBR IEC 60079-7, ABNT NBR IEC 60079-31

CCC: GB 3836.1-2010, GB 3836.2-2010, GB 3836.3-2010,
GB 12476.1-2013, GB 12476.5-2013

Certificate details

ATEX: ITS16ATEX101335X

IECEX: IECEX ITS16.0012X

CSA: 200455-1003277

EAC: TC RUC-G B.M.1062.B.06226

INMETRO: NCC 18.0133X

CCC: 2020322313001352

Temperature

-60°C to +200°C

Ingress protection (IP):

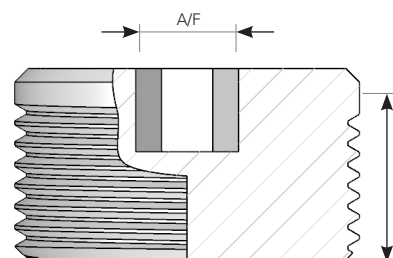
IP66/68 (according to manufacturer's instructions).

Product dimensions - type CB / CF stopping plugs

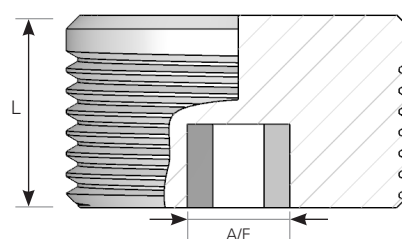
Thread	Allen/hex key aperture A/F (mm)	Overall length (mm)
M16	6.0	17.0
M20	10.0	17.0
M25	10.0	17.0
M32	10.0	17.0
M40	19.0	17.0
M50	19.0	17.0
M63	19.0	17.0
M75	19.0	17.0

Other sizes / threads are available upon request.

Type CB



Type CF



Stopping plugs - types CK & CY

Technical specification

The comprehensive Raxton range of stopping plugs are designed to close off any unused entries in electrical equipment, whilst maintaining existing certification and ingress protection.

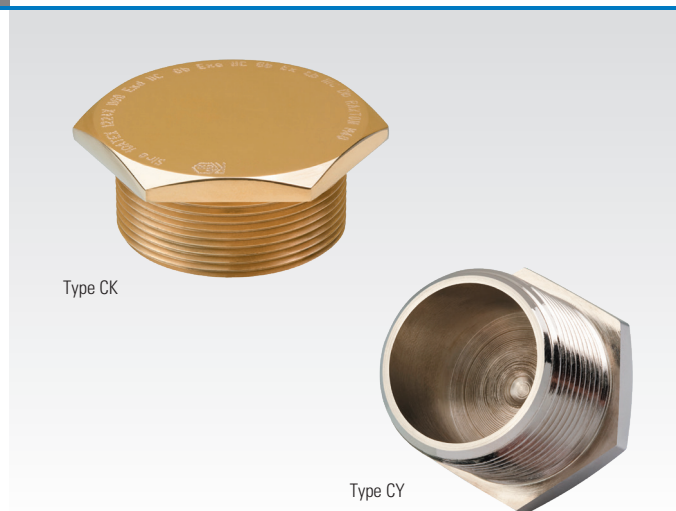
Type CK hex head stopping plugs

Type CK hex head stopping plugs are inserted from the outside of the equipment and tightened by means of a spanner.

Type CY hollow hex head stopping plugs

Type CY hollow hex head stopping plugs are a hollow version of the type CK hex head plug. These are lighter and have Ex d/Ex e certification. The type CY plug is not suitable for mining applications.

All Raxton stopping plugs are marked with the appropriate approval numbers and size.



Certifications and compliances



Code of protection categories

ATEX: I/II 2 GD, Ex db I/IIc Mb/Gb, Ex eb I/IIc Mb/Gb (Gr I not for type CY)
Ex tb IIIC Db IP66

IECEX/

INMETRO:

EAC: Ex d I/IIc Mb/Gb, Ex e I/IIc Mb/Gb, Ex tb IIIC Db IP66
(Group I not for Type CY)

CSA: CI I Zn 1 AEx db IIC Gb, Ex db IIC Gb
(see certificate for threadforms & material details)

CCC: Ex d IIC Gb, Ex e IIC Gb, Ex tD A21 IP6X

Compliance standards

ATEX/EAC: EN 60079-0, EN 60079-1, EN60079-7, EN60079-31

IECEX: IEC 60079-0, IEC 60079-1, IEC 60079-7, IEC 60079-31

CSA: CSA-C22.2 No. 60079-0, CSA-C22.2 No. 60079-1
ANSI/UL 60079-0, ANSI/UL 60079-1 (not NPT threads for CY)

INMETRO: ABNT NBR IEC 60079-0, ABNT NBR IEC 60079-1,
ABNT NBR IEC 60079-7, ABNT NBR IEC 60079-31

CCC: GB 3836.1-2010, GB 3836.2-2010, GB 3836.3-2010,
GB 12476.1-2013, GB 12476.5-2013

Certificate details

ATEX: ITS16ATEX101335X

IECEX: IECEX ITS16.0012X

CSA: 200455-1003277

EAC: TC RUC-G B.M1062.B.06226

INMETRO: NCC 18.0133X

CCC: 2020322313001352

Temperature

-60°C to +200°C ; depending on O-ring or sealing washer used

Ingress protection (IP):

IP66/68 (according to manufacturer's instructions).

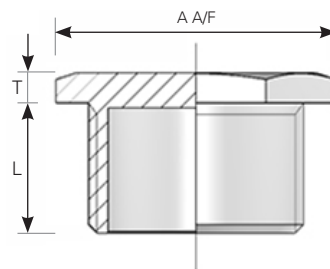
[Download certificates and documents here](#)

Product dimensions - type CK / CY stopping plugs

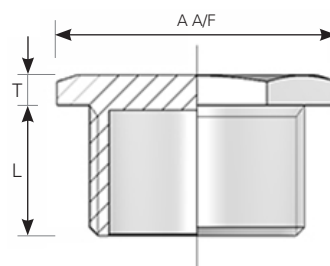
Thread	Overall length A A/F (mm)	Thread length L (mm)	Head depth T (mm)
M12	14.0	15.0	3.5
M16	19.0	15.0	4.0
M20	24.0	15.0	4.0
M25	27.9	15.0	4.0
M32	37.6	15.0	4.0
M40	47.2	15.0	5.0
M50	55.9	15.0	6.0
M63	70.0	15.0	7.0
M75	80.0	15.0	8.0
M80	90.0	20.0	9.0
M90	95.0	20.0	10.0
M100	105.0	20.0	11.0

Other sizes / threads are available upon request.

Type CK



Type CY



Stopping plugs - type CQ

Technical specification

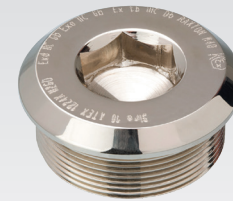
The comprehensive Raxton range of stopping plugs are designed to close off any unused entries in electrical equipment, whilst maintaining existing certification and ingress protection.

Type CQ dome head stopping plugs

Type CQ dome head stopping plugs can be offered as an alternative to the hex head stopping plug and are inserted from the outside of the equipment and tightened by means of an Allen or hex key.

Type CQ dome head stopping plugs are available as metallic Ex d/Ex e or nylon Ex e versions. The nylon version is supplied with an undercut and EPDM O-ring as standard.

All Raxton stopping plugs are marked with the appropriate approval numbers and size.



Type CQ



Type CQ

Certifications and compliances



[Download certificates and documents here](#)

Code of protection categories

ATEX: I/II 2 GD, Ex db I/IIC Mb/Gb, Ex eb I/IIC Mb/Gb (Nylon not Gr I)
Ex tb IIIC Db IP66

IECEX/
INMETRO/

EAC: Ex d I/IIC Mb/Gb, Ex e I/IIC Mb/Gb, Ex tb IIIC Db IP66

CSA (not

for nylon): CI I Zn 1 AEx db IIC Gb, Ex db IIC Gb

(see certificate for threadforms & material details)

CCC: Ex d IIC Gb, Ex e IIC Gb, Ex tD A21 IP6X

Compliance standards

ATEX/EAC: EN 60079-0, EN 60079-1, EN60079-7, EN60079-31

IECEX: IEC 60079-0, IEC 60079-1, IEC 60079-7, IEC 60079-31

INMETRO: ABNT NBR IEC 60079-0, ABNT NBR IEC 60079-1,
ABNT NBR IEC 60079-7, ABNT NBR IEC 60079-31

CSA (not

for nylon): CSA-C22.2 No. 60079-0, CSA-C22.2 No. 60079-1
ANSI/UL 60079-0, ANSI/UL 60079-1

CCC: GB 3836.1-2010, GB 3836.2-2010, GB 3836.3-2010,
GB 12476.1-2013, GB 12476.5-2013

Certificate details

ATEX: ITS16ATEX101335X

IECEX: IECEX ITS16.0012X

CSA: 200455-1003277 (brass and stainless only)

EAC: TC RUC-G B.M1062.B.06226

INMETRO: NCC 18.0133X

CCC: 2020322313001352

* Ex db I Mb, Ex eb I Mb (except for aluminum & nylon)

Temperature

The item is classified as a component and therefore metallic products are not given an operating temperature range.

Ingress protection (IP):

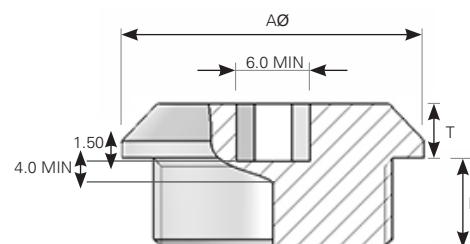
IP66/68 (according to manufacturer's instructions).

Product dimensions

Thread	F A/F + .3 - .0 (mm)	A Ø (mm)	Head depth T (mm)	Thread length L (mm)
M16	6.0	20.0	5.0	15.0
M20	10.0	25.0	5.0	15.0
M25	10.0	30.0	5.0	15.0
M32	10.0	38.0	5.0	15.0
M40	19.0	46.0	5.0	15.0
M50	19.0	57.0	5.0	15.0
M63	19.0	70.0	5.0	15.0
M75	19.0	82.0	5.0	15.0

Other sizes / threads are available upon request.

Type CQ



Barrier stopper boxes for cable glands and rigid conduit - EG

Technical specification

The barrier stopper box is designed to seal conductors at the entry to the enclosure via conduit or to enable an existing compression gland to be converted to a barrier gland.

This is achieved by forming a barrier between the individual insulated conductors within the cable to prevent an explosion within the enclosure. The compound stopper box allows compound to be packed around individual insulated conductors. Assembly of the component compresses the packing material and distributes the compound evenly to effect a barrier at point of entry into the enclosure.

The barrier stopper box is available in male to female (type EG). The product is supplied with compound in a pack, complete with making off instructions and gloves.



Type EG

Certifications and compliances



[Download certificates and documents here](#)

Code of protection categories

ATEX/IECEX: II 2 GD, Ex d IIC Gb, Ex e IIC Gb, Ex tb IIIC Db
EAC: Ex d IIC Gb / Ex e IIC Gb, Ex tb IIIC Db

Compliance standards

ATEX/IECEX/
EAC: EN/IEC 60079-0, EN/IEC 60079-1, EN/IEC 60079-7, EN/IEC 60079-31

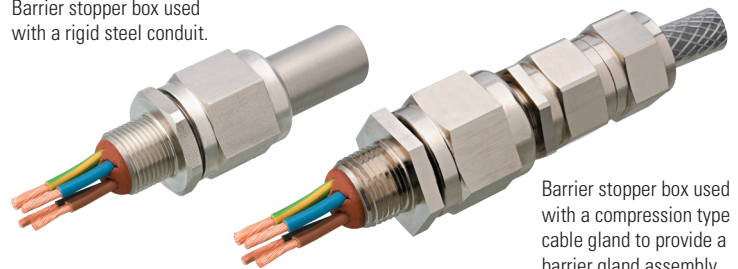
Certificate details

ATEX: ITS 12ATEX17707X
IECEX: IECEx ITS 12.0079X
EAC: TC RUC-G B.M1062.B.00677/19

Temperature

Temperature range: $-60^{\circ}\text{C} \leq T_a \leq 80^{\circ}\text{C}$

Barrier stopper box used with a rigid steel conduit.



Barrier stopper box used with a compression type cable gland to provide a barrier gland assembly.

Product dimensions

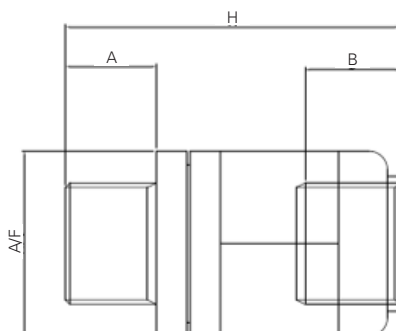
METRIC 1.5 PITCH

Size	Thread A	Thread B	Length H	A/F
M16	15.0	15.0	58.7	25.6
M20	15.0	15.0	61.2	30.5
M25	15.0	15.0	64.1	37.6
M32	15.0	15.0	69.1	47.2
M40	17.0	15.0	76.0	55.9
M50	17.0	15.0	73.5	70.0
M63	17.0	15.0	76.2	85.0

NPT

Size	Thread A min	Thread B min	Length H	A/F
3/8"	15.5	15.0	59.2	27.9
1/2"	20.2	17.0	66.4	33.0
3/4"	20.5	17.0	69.6	41.1
1"	25.3	22.0	85.0	50.0
1.1/4"	26.0	22.5	90.3	60.0
1.1/2"	26.5	23.0	89.0	70.0
2"	27.2	24.0	93.4	85.0

Other sizes / threads are available upon request.



Nipples / couplers / bushes

Technical specification

Screwed nipple

Supplied 30mm long as standard; alternative lengths can be supplied as required.

Available in a variety of thread forms. Materials include brass, mild steel, stainless steel, aluminium and nylon.

Metallic finishes can be plated to requirements.

Couplers

Available in round or hexagonal. Manufactured in brass as standard in a wide combination of thread forms and sizes.

Bushes

Male and female bushes are available in a variety of thread forms. Materials include brass, mild steel, stainless steel and aluminium, and may be plated to requirements.



Locknuts - GA

Technical specification

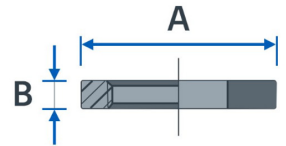
Raxtons offers a large variety of locknuts, lockrings and castellated locknuts which are often recommended for securing cable glands, thread adaptors and thread reducers to a gland plate or into equipment.

Locknuts are available in brass, mild steel, stainless steel aluminium or nylon.



Product coding

ISO Thread	Brass Catalogue number	Nickel-plated brass Catalogue number	A	B	Stainless steel Catalogue number	A	B
M10	GAA0003	GAA0003XXN	13.5	3.0	GAE0003	15.9	3.2
M12	GAA0004	GAA0004XXN	15.0	3.0	GAE0004	17.0	3.2
M16	GAA0011	GAA0011XXN	19.0	3.0	GAE0011	19.0	3.2
M20	GAA0012	GAA0012XXN	24.0	4.0	GAE0012	25.4	3.5
M25	GAA0013	GAA0013XXN	30.0	4.0	GAE0013	30.0	4.0
M32	GAA0014	GAA0014XXN	36.0	4.5	GAE0014	36.0	4.5
M40	GAA0015	GAA0015XXN	46.0	4.5	GAE0015	46.0	4.8
M50	GAA0016	GAA0016XXN	65.0	4.7	GAE0016	60.0	4.7
M63	GAA0017	GAA0017XXN	80.0	6.4	GAE0017	80.0	6.4
M75	GAA0018	GAA0018XXN	95.0	6.4	GAE0018	95.0	6.4
M80	GAA0080	GAA0080XXN	100.0	8.0	GAE0080	100.0	8.5
M90	GAA0081	GAA0081XXN	110.0	8.0	GAE0081	110.0	8.5
M100	GAA0082	GAA0082XXN	120.0	11.0	GAE0082	110.0	12.0
M110	GAA0083	GAA0083XXN	130.0	12.0	GAE0083	130.0	12.0



NPT Thread	Brass Catalogue number	Nickel-plated brass Catalogue number	A	B	Stainless steel Catalogue number	A	B
1/2" NPT	GAA0042	GAA0042XXN	25.4	3.8	GAE0042	28.0	3.8
3/4" NPT	GAA0043	GAA0043XXN	33.0	4.0	GAE0043	33.0	4.0
1" NPT	GAA0044	GAA0044XXN	40.0	4.8	GAE0044	41.0	4.8
1 1/4" NPT	GAA0045	GAA0045XXN	50.0	5.3	GAE0045	50.0	5.3
1 1/2" NPT	GAA0046	GAA0046XXN	55.9	5.8	GAE0046	55.9	5.8
2" NPT	GAA0047	GAA0047XXN	70.0	6.3	GAE0047	70.0	6.3
2 1/2" NPT	GAA0048	GAA0048XXN	90.0	9.0	GAE0048	90.0	9.0
3" NPT	GAA0049	GAA0049XXN	105.0	10.0	GAE0049	105.0	10.0
3 1/2" NPT	GAA0086	GAA0086XXN	120.0	12.0	GAE0086	120.0	12.0
4" NPT	GAA0087	GAA0087XXN	135.0	14.0	GAE0087	135.0	14.0

PG Thread	Brass Catalogue number	Nickel-plated brass Catalogue number	A	B	Stainless steel Catalogue number	A	B
PG7	GAA0020	GAA0020XXN	15.0	2.9	GAE0020	15.0	2.9
PG9	GAA0021	GAA0021XXN	18.0	2.9	GAE0021	18.0	2.9
PG11	GAA0022	GAA0022XXN	21.0	2.9	GAE0022	21.0	2.9
PG13,5	GAA0023	GAA0023XXN	23.0	3.1	GAE0023	23.0	3.1
PG16	GAA0024	GAA0024XXN	26.0	3.1	GAE0024	26.0	3.1
PG21	GAA0025	GAA0025XXN	32.0	3.6	GAE0025	32.0	3.6
PG29	GAA0026	GAA0026XXN	41.0	4.1	GAE0026	41.0	4.1
PG36	GAA0027	GAA0027XXN	51.0	5.1	GAE0027	51.0	5.1
PG42	GAA0028	GAA0028XXN	60.0	5.1	GAE0028	60.0	5.1
PG48	GAA0029	GAA0029XXN	64.0	5.6	GAE0029	64.0	5.6

Other sizes available on request.

In addition to our metallic ranges, Raxton offers nylon locknuts that will perfectly adapt in standard industrial environments.

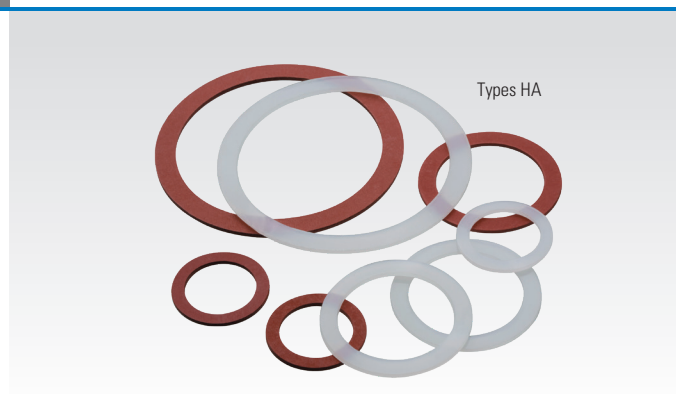
Contact us for more information.

Washers - HA

Technical specification

To maintain the IP rating of the equipment, Raxton offers a wide variety of entry thread sealing washers and O-rings. Materials include nylon, Teflon, neoprene, fibre, silicone, fluorsilicone and rubber.

In addition, Raxton can offer a non-setting universal jointing sealant.



Product coding

ISO Thread	Diam. A	Nylon Catalogue number	Red fibre Catalogue number	PTFE Catalogue number
M12	22.0	HAR0004	HAU0004	HAP0004
M16	25.0	HAR0011	HAU0011	HAP0011
M20	28.7	HAR0012	HAU0012	HAP0012
M25	36.0	HAR0013	HAU0013	HAP0013
M32	42.5	HAR0014	HAU0014	HAP0014
M40	52.0	HAR0015	HAU0015	HAP0015
M50	65.0	HAR0016	HAU0016	HAP0016
M63	79.4	HAR0017	HAU0017	HAP0017
M75	90.5	HAR0018	HAU0018	HAP0018
M80	104.8	HAR0080	HAU0080	HAP0080
M90	114.3	HAR0081	HAU0081	HAP0081
M100	114.3	HAR0082	HAU0082	HAP0082
M110	135.0	HAR0083	HAU0083	HAP0083



NPT Thread	Diam. A	Nylon Catalogue number	Red fibre Catalogue number	PTFE Catalogue number
1/4" NPT	25.4	HAR0040	HAU0040	HAP0040
3/8" NPT	22.2	HAR0041	HAU0041	HAP0041
1/2" NPT	30.0	HAR0042	HAU0042	HAP0042
3/4" NPT	38.0	HAR0043	HAU0043	HAP0043
1" NPT	46.0	HAR0044	HAU0044	HAP0044
1 1/4" NPT	55.5	HAR0045	HAU0045	HAP0045
1 1/2" NPT	58.8	HAR0046	HAU0046	HAP0046
2" NPT	79.4	HAR0047	HAU0047	HAP0047
2 1/2" NPT	90.5	HAR0048	HAU0048	HAP0048
3" NPT	114.3	HAR0049	HAU0049	HAP0049
3 1/2" NPT	114.3	HAR0086	HAU0086	HAP0086
4" NPT	146.0	HAR0087	HAU0087	HAP0087

PG Thread	Diam. A	Nylon Catalogue number	Red fibre Catalogue number	PTFE Catalogue number
PG7	22.0	HAR0020	HAU0020	HAP0020
PG9	25.0	HAR0021	HAU0021	HAP0021
PG11	27.0	HAR0022	HAU0022	HAP0022
PG13,5	29.4	HAR0023	HAU0023	HAP0023
PG16	33.0	HAR0024	HAU0024	HAP0024
PG21	35.5	HAR0025	HAU0025	HAP0025
PG29	52.0	HAR0026	HAU0026	HAP0026
PG36	65.0	HAR0027	HAU0027	HAP0027
PG42	65.0	HAR0028	HAU0028	HAP0028
PG48	79.4	HAR0029	HAU0029	HAP0029

Serrated washers - GC

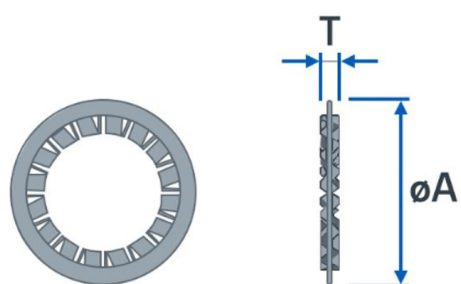
Technical specification

Raxton serrated (shakeproof) washers are available in stainless steel and prevent the risk of attachments becoming loose when used in conjunction with a locknut.



Product coding

ISO Thread	Diam. A	T	Stainless steel 316L Catalogue number
M16	14.3	1.6	GCE0011
M20	32.0	1.6	GCE0012
M25	38.0	1.6	GCE0013
M32	49.0	1.6	GCE0014
M40	58.0	1.6	GCE0015
M50	70.0	1.6	GCE0016
M63	86.0	1.6	GCE0017
M75	100.0	1.6	GCE0018
M80	120.0	4.5	GCE0080
M90	125.0	4.5	GCE0081
M100	140.0	4.5	GCE0082
M110	150.0	1.6	GCE0083



NPT Thread	Diam. A	T	Stainless steel 316L Catalogue number
1/2" NPT	38.0	1.6	GCE0042
3/4" NPT	41.0	1.6	GCE0043
1" NPT	49.0	1.6	GCE0044
1 1/4" NPT	58.0	1.6	GCE0045
1 1/2" NPT	70.0	1.6	GCE0046
2" NPT	86.0	1.6	GCE0047
2 1/2" NPT	100.0	1.6	GCE0048
3" NPT	125.0	4.5	GCE0049
3 1/2" NPT	140.0	4.5	GCE0086
4" NPT	155.0	4.5	GCE0087

Note: for PG options please contact us.

Earthing locknuts - DN

Technical specification

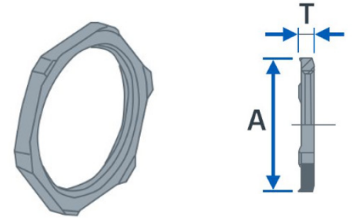
Raxton earthing locknuts offer an alternative to the standard earth tag when terminating a metallic cable gland into a thin wall steel enclosure. They are available in brass, nickel-plated brass and stainless steel.

The earthing locknut design includes a number of cutting teeth formed on one surface of the nut. When tightened, these teeth cut into the enclosure wall, preventing the nut from turning and enabling the gland to be tightened to the nut from the outside with only one tool.

This allows all connections of the gland to be made within the enclosure, away from the corrosive or flammable atmosphere and away from possible mechanical damage, and results in a neater appearance. The nut may also be fitted with the plain side facing the enclosure where this is preferred.



Type DN



Product coding

ISO Thread	Stainless steel 316L Catalogue number	Nickel-plated brass Catalogue number	A	T	Stainless steel Catalogue number	A	T
M12	DNA0004	DNA0004XXN	14.0	3.0	DNE0004	15.0	3.0
M16	DNA0011	DNA0011XXN	18.0	3.0	DNE0011	19.0	3.0
M20	DNA0012	DNA0012XXN	23.0	3.0	DNE0012	24.0	3.0
M25	DNA0013	DNA0013XXN	28.0	3.0	DNE0013	28.0	3.0
M32	DNA0014	DNA0014XXN	36.0	3.0	DNE0014	36.0	3.0
M40	DNA0015	DNA0015XXN	44.0	4.0	DNE0015	48.0	4.0
M50	DNA0016	DNA0016XXN	54.0	5.0	DNE0016	54.0	5.0
M63	DNA0017	DNA0017XXN	70.0	6.0	DNE0017	70.0	6.0
M75	DNA0018	DNA0018XXN	85.0	8.0	DNE0018	100.0	8.0
M90	DNA0081	DNA0081XXN	100.0	10.0	DNE0081	110.0	10.0
M100	DNA0082	DNA0082XXN	110.0	12.0	DNE0082	110.0	12.0

PG Thread	Stainless steel 316L Catalogue number	Nickel-plated brass Catalogue number	A	T	Stainless steel Catalogue number	A	T
PG7	DNA0020	DNA0020XXN	15.0	3.0	DNE0020	15.0	3.0
PG9	DNA0021	DNA0021XXN	18.0	3.0	DNE0021	19.0	3.0
PG11	DNA0022	DNA0022XXN	22.0	3.0	DNE0022	22.0	3.0
PG13,5	DNA0023	DNA0023XXN	23.0	3.0	DNE0023	24.0	3.0
PG16	DNA0024	DNA0024XXN	26.0	3.0	DNE0024	26.0	3.0
PG21	DNA0025	DNA0025XXN	32.0	3.5	DNE0025	32.0	3.5
PG29	DNA0026	DNA0026XXN	41.0	4.0	DNE0026	41.0	4.0
PG36	DNA0027	DNA0027XXN	52.0	5.0	DNE0027	52.0	5.0
PG42	DNA0028	DNA0028XXN	58.0	5.0	DNE0028	58.0	5.0
PG48	DNA0029	DNA0029XXN	64.0	6.0	DNE0029	64.0	6.0

Note: NPT thread versions available on request.

Earth tags - DM

Technical specification

Raxton earth tags provide a means of connecting a flexible earth bond with the gland, thread adaptor or thread reducer in any required position while ensuring suitable earth continuity.

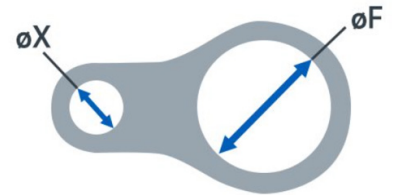
Available in brass, aluminium and stainless steel and supplied self-colour as standard, additional plating is available if required.



Type DM

Product coding

ISO Thread	Diam. X	Diam. F	Brass Catalogue number	Nickel-plated brass Catalogue number	Stainless steel Catalogue number
M16	6.8	16.2	DMA0011	DMA0011XXN	DME0011
M20	7.0	20.7	DMA0012	DMA0012XXN	DME0012
M25	10.5	25.5	DMA0013	DMA0013XXN	DME0013
M32	12.2	32.5	DMA0014	DMA0014XXN	DME0014
M40	13.5	40.5	DMA0015	DMA0015XXN	DME0015
M50	13.5	51.0	DMA0016	DMA0016XXN	DME0016
M63	13.3	64.0	DMA0017	DMA0017XXN	DME0017
M75	13.5	76.2	DMA0018	DMA0018XXN	DME0018
M80	80.5	13.5	DMA0080	DMA0080XXN	DME0080
M90	90.5	13.5	DMA0081	DMA0081XXN	DME0081
M100	100.5	13.5	DMA0082	DMA0082XXN	DME0082
M110	110.5	13.5	DMA0083	DMA0083XXN	DME0083



NPT Thread	Diam. X	Diam. F	Brass Catalogue number	Nickel-plated brass Catalogue number	Stainless steel Catalogue number
1/2" NPT	7.0	21.5	DMA0042	DMA0042XXN	DME0042
3/4" NPT	10.5	26.7	DMA0043	DMA0043XXN	DME0043
1" NPT	12.2	34.5	DMA0044	DMA0044XXN	DME0044
1 1/4" NPT	13.5	43.5	DMA0045	DMA0045XXN	DME0045
1 1/2" NPT	13.5	51.0	DMA0046	DMA0046XXN	DME0046
2" NPT	13.3	61.2	DMA0047	DMA0047XXN	DME0047
2 1/2" NPT	13.5	76.2	DMA0048	DMA0048XXN	DME0048
3 1/2" NPT	102.2	13.3	DMA0086	DMA0086XXN	DME0086
4" NPT	115.0	13.5	DMA0087	DMA0087XXN	DME0087

PG Thread	Diam. X	Diam. F	Brass Catalogue number	Nickel-plated brass Catalogue number	Stainless steel Catalogue number
PG7	6.8	13.0	DMA0020	DMA0020XXN	DME0020
PG9	6.8	16.2	DMA0021	DMA0021XXN	DME0021
PG11	7.0	19.2	DMA0022	DMA0022XXN	DME0022
PG13,5	7.0	20.7	DMA0023	DMA0023XXN	DME0023
PG16	10.5	23.0	DMA0024	DMA0024XXN	DME0024
PG21	12.2	28.6	DMA0025	DMA0025XXN	DME0025
PG29	13.5	38.5	DMA0026	DMA0026XXN	DME0026
PG36	13.5	47.5	DMA0027	DMA0027XXN	DME0027
PG42	13.5	54.5	DMA0028	DMA0028XXN	DME0028
PG48	13.3	61.2	DMA0029	DMA0029XXN	DME0029

Shrouds - HC

Technical specification

Raxton offers a range of push on HC shrouds which are used to minimize the risk of dirt or foreign substances gathering on the cable gland body and/or point of cable to the gland interface.

Supplied as standard in black PVC, they are suitable for all leading markers of glands.

Raxton also offers coloured PVC, low smoke and fume, and neoprene shrouds.



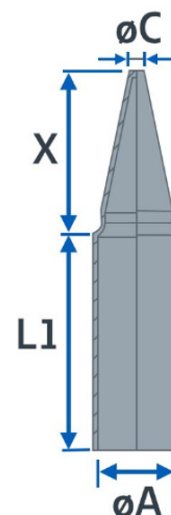
Product codes

PVC Shrouds

Shroud size	Diam. A	L1	X	Diam. C	PVC black	PVC blue	PVC grey	PVC red	PVC white
5	19.9	57.0	40.0	2.5	HCY 5	HCB 5	HCG 5	HCR 5	HCW LSF 5
5A	23.8	60.0	50.0	2.5	HCY 5A	HCB 5A	HCG 5A	HCR 5A	HCW LSF 5A
6	25.2	78.0	50.0	2.5	HCY 6	HCB 6	HCG 6	HCR 6	HCW LSF 6
7	31.5	80.0	50.0	8.0	HCY 7	HCB 7	HCG 7	HCR 7	HCW LSF 7
8	43.0	78.0	50.0	11.0	HCY 8	HCB 8	HCG 8	HCR 8	HCW LSF 8
8B	38.8	80.0	50.0	11.0	HCY 8B	HCB 8B	HCG 8B	HCR 8B	HCW LSF 8B
9	49.5	83.0	50.0	15.0	HCY 9	HCB 9	HCG 9	HCR 9	HCW LSF 9
10	57.8	91.0	60.0	20.0	HCY 10	HCB 10	HCG 10	HCR 10	HCW LSF 10
11	67.2	105.0	70.0	25.0	HCY 11	HCB 11	HCG 11	HCR 11	HCW LSF 11
12	75.6	90.0	75.0	31.0	HCY 12	HCB 12	HCG 12	HCR 12	HCW LSF 12
12E	84.0	115.0	75.0	34.0	HCY 12E	HCB 12E	HCG 12E	HCR 12E	HCW LSF 12E
13	89.3	110.0	75.0	37.0	HCY 13	HCB 13	HCG 13	HCR 13	HCW LSF 13
14	98.0	120.0	80.0	40.0	HCY 14	HCB 14	HCG 14	HCR 14	HCW LSF 14
15	115.0	130.0	80.0	50.0	HCY 15	HCB 15	HCG 15	HCR 15	HCW LSF 15
16	125.0	135.0	85.0	60.0	HCY 16	HCB 16	HCG 16	HCR 16	HCW LSF 16
17	140.0	135.0	85.0	65.0	HCY 17	HCB 17	HCG 17	HCR 17	HCW LSF 17

Neoprene Shrouds

Shroud size	Diam. A	L1	X	Diam. C	NEO black
4	16.0	50.0	40.0	2.5	HCY4NEO
5	16.5	57.0	48.0	2.5	HCY5NEO
6	25.2	78.0	60.0	2.5	HCY6NEO
7	31.5	80.0	60.0	8.0	HCY7NEO
8	43.0	78.0	62.0	11.0	HCY8NEO
9	49.5	83.0	62.0	15.0	HCY9NEO
10	57.8	91.0	72.0	20.0	HCY10NEO
11	67.2	105.0	84.0	25.0	HCY11NEO
12	75.6	90.0	88.0	31.0	HCY12NEO
13	89.3	110.0	85.0	37.0	HCY13NEO
14	98.0	120.0	80.0	40.0	HCY14NEO
15	115.0	130.0	80.0	50.0	HCY15NEO
16	125.0	135.0	85.0	60.0	HCY16NEO
17	140.0	135.0	85.0	65.0	HCY17NEO



Note: size relates directly to the Capri cable gland size but shrouds are suitable for any manufacturer of glands. Please ensure correct shroud is used for maximum gland diameter.

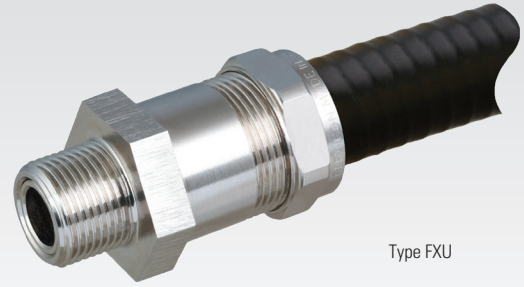
Barrier fittings for flexible conduit - EF

Technical specification

The Raxton barrier fitting for flexible conduit is designed to provide a flameproof connection for liquid tight and braided flexible conduit in hazardous area applications. This is achieved by forming a barrier between the individual insulated conductors of a cable inside the conduit that are to be terminated within an enclosure.

The barrier is formed by using a setting compound packed around individual insulated conductors. Assembly of the component compresses the packing material and distributes the compound evenly to effect a barrier at point of entry into the enclosure.

The barrier stopper box is supplied with compound in a pack, complete with making off instructions and gloves.



Type FXU

Certifications and compliances



Code of protection categories

ATEX/ IECEx: II 2 GD, Ex de IIC Gb, Ex e IIC Gb, Ex tb IIIC
EAC: Ex d IIC Gb / Ex e IIC Gb, Ex tb IIIC Db

Compliance standards

ATEX/ IECEx/ EAC: EN/IEC 60079-0, EN/IEC 60079-1, EN/IEC 60079-7, EN/IEC 60079-31

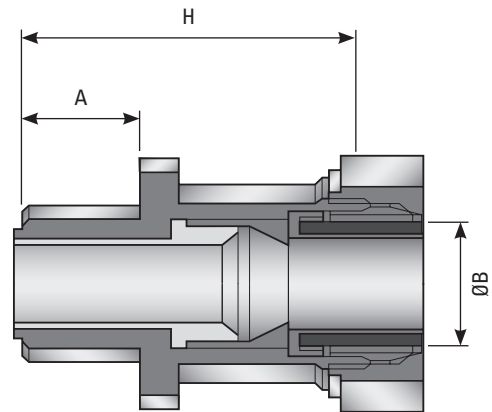
Certificate details

ATEX: ITS 12ATEX17707X
IECEx: IECEx ITS 12.0079X
EAC: TC RUC-G B.M1062.B.00677/19

Temperature

Temperature range: $-60^{\circ}\text{C} \leq T_a \leq 80^{\circ}\text{C}$

[Download certificates and documents here](#)



Product dimensions

Stopper box size	Thread (A) min. (mm)	ØB nominal (mm)	Length (H) (mm)
M20	15.0	21.1	44.5
M25	15.0	26.4	46.0
M32	15.0	33.1	51.5
M40	15.0	41.8	52.5
M50	15.0	47.9	58.5
M63	15.0	59.7	61.5

Other sizes / threads are available upon request.

Thread selection / dimensions

Isometric to BS 3643:1981

Size	Major diameter (mm)	Threads per inch	Pitch
16mm (M16)	15.968	16.93	1.50
20mm (M20)	19.968	16.93	1.50
25mm (M25)	24.968	16.93	1.50
32mm (M32)	31.968	16.93	1.50
40mm (M40)	39.968	16.93	1.50
50mm (M50)	49.968	16.93	1.50
63mm (M63)	62.968	16.93	1.50
75mm (M75)	74.968	16.93	1.50

National Pipe Thread to ANSI / ASME: 1983

Size	Major diameter (mm)	Threads per inch	Pitch
½" NPT	10.28	27.00	0.94
¾" NPT	13.72	18.00	1.41
¾" NPT	17.15	18.00	1.41
½" NPT	21.34	14.00	1.81
¾" NPT	26.67	14.00	1.81
1" NPT	33.40	11.50	2.21
1¼" NPT	42.16	11.50	2.21
1½" NPT	48.26	11.50	2.21
2" NPT	60.33	11.50	2.21
2½" NPT	73.03	8.00	3.18
3" NPT	88.90	8.00	3.18
4" NPT	114.30	8.00	3.18

British Standard Pipe to BS 21:1985

Size	Major diameter (mm)	Threads per inch	Pitch
½" BSP P	9.736	28.00	0.91
¾" BSP P	13.16	19.00	1.34
¾" BSP P	16.66	19.00	1.34
½" BSP P	20.96	14.00	1.81
¾" BSP P	26.44	14.00	1.81
1" BSP P	33.25	11.00	2.31
1¼" BSP P	41.91	11.00	2.31
1½" BSP P	47.80	11.00	2.31
2" BSP P	59.81	11.00	2.31
2½" BSP P	75.18	11.00	2.31
3" BSP P	87.88	11.00	2.31
4" BSP P	113.03	11.00	2.31

Other sizes and threads are available including ET, PG, BSPT and NPSM, contact Customer Services for details.

Certified products - Raxton adaptors now available in 2 step format

		Female thread																
		M16	M20	M25	M32	M40	M50	M63	M75	½" NPT/BSP	¾" NPT/BSP	1" NPT/BSP	1¼" NPT/BSP	1½" NPT/BSP	2" NPT/BSP	2½" NPT/BSP	3" NPT/BSP	4" NPT
Male thread	M16																	
	M20																	
	M25																	
	M32																	
	M40																	
	M50																	
	M63																	
	M75																	
	½" NPT																	
	¾" NPT																	
	1" NPT																	
	1¼" NPT																	
	1½" NPT																	
	2" NPT																	
	2½" NPT																	
	3" NPT																	
	4" NPT																	
	½" BSP																	
	¾" BSP																	
	1" BSP																	
	1¼" BSP																	
	1½" BSP																	
	2" BSP																	
	2½" BSP																	
	3" BSP																	

Adaptors

Reducers

Not certified

Product coding

DIGIT 1 & 2

	Description	Code	Page	
ADAPTORS AND REDUCERS	M-F hex adaptors	AB	6-7	
	M-F round adaptors	AJ	8-9	
	M-F hex reducers	BB	6-7	
	M-F round reducers	BJ	8-9	
	M-M adaptors	AR	10-11	
	F-F hex adaptors	AU	10-11	
	F-F round adaptors	AX	10-11	
	Right angle (90°) M-F adaptors	FG	12	
	Right angle (90°) M-M adaptors	FK	12	
	Right angle (90°) F-F adaptors	FN	12	
BREATHER DRAINS	Threaded earth plates	DK	13	
	Flameproof breather drains	CT	14	
STOPPING PLUGS	Increased safety breather drains	CV	14	
	RX (external access) plugs	CB	15	
	Tamperproof (internal access) plugs	CF	15	
	Hex head plugs	CK	16	
	Hollow hex head plugs	CY	16	
	Dome head plugs	CQ	17	
	Barrier stopper boxes (cable glands) M-F*	EG	18	
	Male bushes*	JB	19	
	Female bushes*	JC	19	
	Threaded nipples*	JD	19	
ACCESSORIES	Round couplers*	JG	19	
	Locknuts*	GA	20	
	Washers*	HA	21	
	Serrated washers*	GC	22	
	Earthing locknuts*	DN	23	
	Earth tags	DM	24	
	Shrouds*	HC	25	
	FLEXIBLE CONDUIT	Barrier fitting (flexible conduit)	EF	26

* No marking on product; use 'X' in coding for digit 8 where digits 9 and 10 are used.

THREAD REFERENCES

DIGIT 4 & 5 MALE THREAD					DIGIT 6 & 7 FEMALE THREAD				
ISOMETRIC		NPT		PG		BSP P		BSP T	
SIZE	CODE	SIZE	CODE	SIZE	CODE	SIZE	CODE	SIZE	CODE
M12	04	½" NPT	42	PG7	20	½" BSP P	62	½" BSP T	52
M16	11	¾" NPT	43	PG9	21	¾" BSP P	63	¾" BSP T	53
M20	12	1" NPT	44	PG11	22	1" BSP P	64	1" BSP T	54
M25	13	1¼" NPT	45	PG13.5	23	1¼" BSP P	65	1¼" BSP T	55
M32	14	1½" NPT	46	PG16	24	1½" BSP P	66	1½" BSP T	56
M40	15	2" NPT	47	PG21	25	2" BSP P	67	2" BSP T	57
M50	16	2½" NPT	48	PG29	26	2½" BSP P	68	2½" BSP T	58
M63	17	3" NPT	49	PG36	27	3" BSP P	69	3" BSP T	59
M75	18	3½" NPT	86	PG42	28	SPECIAL BSP P	60	SPECIAL BSP T	50
M80 x 2.0	80	4" NPT	87	PG48	29	Male thread is specified first (digits 4+5), female thread second (digits 6+7), with all digits used for M-M and F-F products. ET thread components and other sizes are available; please consult Customer Services for advice.			
M90 x 2.0	81	5" NPT	88						
M100 x 2.0	82	SPECIAL NPT	40						
SPECIAL ISO	10								

DIGIT 3	CODE
Material	
Brass	A
Aluminium	B
Mild steel	C
Stainless steel	E
Nylon black	G
Glass filled nylon	M
Red fibre	U
Teflon	P
EPDM	Q
Nylon white	R
Neoprene	T

Product coding notes

Male thread is specified first (digits 4-5); female thread is specified second (digits 6-7). Other threads, sizes, materials and plating are available, please consult the Customer Services department.

Digit 8 (no approval) is F, the product is stamped with brand and size. Where no marking is present, such as locknuts and washers, then 'X' is used (* on coding list).

Digit 9 (not customer specific) is blank if undercut (U) is not required and digit 10 for plating is also not required. If plating is required, but undercut is not, then X is used.

Digit 10 (plating) is blank if no plating is required - X will be used in the case of customer specials.

DIGIT 8	CODE
Approval	
ATEX / IECEx / INMETRO / CSA / GOST Exde (All applicable approvals)	Y
ATEX Exd	D
ATEX Exe	E
Mining Group 1	M
Industrial	F
Industrial (non marked products)	X

DIGIT 9	CODE
Special	
None	X or blank
O-ring / undercut	U

DIGIT 10	CODE
Plating	
None	Blank
Nickel	N
Zinc	Z
Chromatised	C

	Product	Material	Male thread	Female thread	Approval	Special	Plating	Part number
PRODUCT CODING EXAMPLE	Adaptor	Brass	½" NPT	M20	Ex d / Ex e	None	Nickel	= ABA421YXN
	AB	A	42	12	Y	X	N	
PRODUCT CODING EXAMPLE	Product	Material	Male thread	Female thread	Approval	Special	Plating	Part number
	RX (external access) plugs	Aluminium	1" NPT	00	Ex e	Undercut	None	= CBB4400EUX
CB	B	44	00	E	U	X		

† Sxxx is the suffix for customer specials; each will be numbered individually.

The safety you rely on.

Powering Business Worldwide

Eaton is a power management company.

We help our worldwide customers to manage energy they need for their buildings, their planes, car and trucks, their machines and their enterprises.

Our innovative technologies accompanies our customers effectively manage electrical, hydraulic and mechanical power more efficiently, safely and sustainably.

Eaton is dedicated to improving the quality of life and the environment through the use of power management technologies and services.

Eaton, with 2020 sales of \$17.9 billion, has approximately 85,000 employees and sells products to customers in more than 175 countries.

Discover our product ranges on [Eaton.com](https://www.eaton.com)

Register to our contact database [here](#)

Eaton Electrical Systems Limited

Westgate, Aldridge
West Midlands WS9 8FS
United Kingdom

T: +44 (0) 1922 450 400

W: www.eaton.com/uk

E: csaldrige@eaton.com



Powering Business Worldwide

© 2021
Eaton Corporation
All Rights Reserved
Publication No. CAP185005

Eaton is a registered trademark.
All other trademarks are property
of their respective owners.